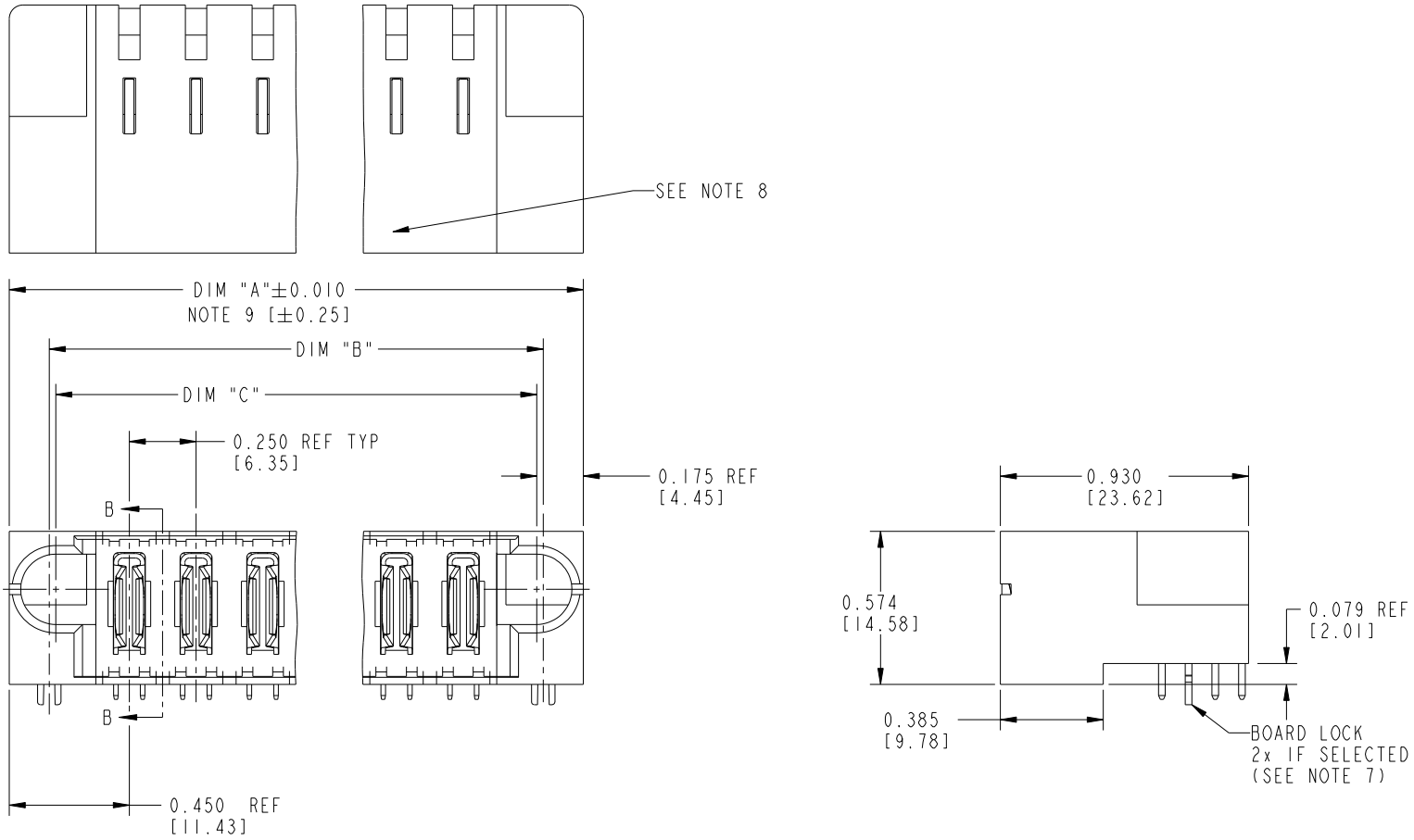


Tous droits strictement réservés. Reproduction ou communication a des tiers interdite sous quelque forme que ce soit sans autorisation écrite du propriétaire. Propriété de c FCI. Droits de reproduction FCI.



All rights strictly reserved. Reproduction or issue to third parties in any form whatever is not permitted without written authority from the proprietor. Property of FCI. Copyright FCI.

PRODUCT NUMBER  
51723-ABB00000EF--  
Note: ①  
SEE NOTE 1



|             |                |     |          |            |                      |                                       |             |          |  |                        |  |
|-------------|----------------|-----|----------|------------|----------------------|---------------------------------------|-------------|----------|--|------------------------|--|
| mat'l code  |                |     |          | SEE NOTE 2 |                      | tolerances unless otherwise specified |             | CUSTOMER |  | <br>www.fciconnect.com |  |
| ltr         | ecn no.        | dr  | date     | linear     | .XX±.01/.X±.3        |                                       | COPY        |          | <br>title RIGHT ANGLE HEADER w/GUIDE PIN POWER |                        |  |
| A           | V02387         | JRW | 10/03/00 |            | .XXX±.005/.XX±.13    |                                       | projection  |          |  |                        |  |
| B           | V12845         | JWS | 1/4/02   | angles     | .XXX±.0020/.XXX±.051 |                                       | <br>INCH/MM |          | product family PWRBLADE code 213               |                        |  |
| C           | DG05-0132      | SJ  | 06/02/05 |            | 0°±2°                |                                       | scale 3:2   |          | sheet 1 of 3                                   |                        |  |
| D           | DG05-0371      | JMG | 07/27/06 | dr         | LEV4                 | 10/14/99                              | A           |          | 51723  |                        |  |
| E           | DG08-0237      | W D | 09/01/08 | engr       | J. BROWN             | 10/14/99                              | A           |          | 51723  |                        |  |
| F           | DG08-0272      | W D | 09/25/08 | chr        | J. BROWN             | 10/14/99                              | A           |          | 51723  |                        |  |
|             |                |     |          | appd       | J. BROWN             | 10/14/99                              | A           |          | 51723  |                        |  |
| sheet index | revision sheet | F 1 | F 2      | F 3        |                      |                                       | A           |          | 51723  |                        |  |

Pro/E

PDM: Rev:F

STATUS: Released

Printed: Oct 17, 2008

Tous droits strictement réservés. Reproduction ou communication a des tiers interdite sous quelque forme que ce soit sans autorisation écrite du propriétaire. Propriété de c FCI. Droits de reproduction FCI.



All rights strictly reserved. Reproduction or issue to third parties in any form whatever is not permitted without written authority from the proprietor. Property of FCI. Copyright FCI.

1 | 2

3 |

4

|                                |
|--------------------------------|
| PRODUCT NUMBER                 |
| 51723-ABB00000EF --<br>Note: ① |
| SEE NOTE 1                     |

| DIM     | LENGTH FORMULAS (SEE NOTE 9)             |
|---------|--|
| DIM "A" | .250 [6.35] x BB + .650 [16.51] (NOTE 9) |
| DIM "B" | .250 [6.35] x BB + .350 [8.89]           |
| DIM "C" | .250 [6.35] x BB + .300 [7.62]           |
| DIM "F" | .250 [6.35] x BB + .680 [17.27]          |

CONNECTOR NOTES:

- ①. PRODUCT NUMBER CODE:  
51723 - A BB 000 00 E F LF
- NO THIS SUFFIX: 100u"/2.54um SnPb ON PCB INTERFACE
  - ADD THIS SUFFIX: 78u"/2.00um Sn ON PCB INTERFACE
  - RETENTION TO PCB (NOTE 7)
  - TAIL OPTIONS (NOTE 6)
  - ALWAYS '00' (ZERO,ZERO)
  - ALWAYS '000' (ZERO,ZERO,ZERO) (NOTE 5)
  - NUMBER OF POWER CONTACTS (NOTE 4)
  - PLATING (NOTE 3)
  - BASE NUMBER

- ②. HOUSING MATERIAL: GLASS FILLED V-0 HIGH TEMP THERMO PLASTIC  
POWER CONTACT MATERIAL: COPPER ALLOY
- ③. PLATING OPTION:  
SEE PRINT OF 10064183 FOR PLATING SPEC OF 51723-1BB00000EF; 51723-1BB00000EFLF
- ④. POWER CONTACTS, 01 TO 20 AVAILABLE.  
MAXIMUM OF 20 POWER CONTACTS PER CONNECTOR
- ⑤. THIS PART IS NOT AVAILABLE WITH SIGNAL CONTACTS.
- ⑥. TAIL OPTIONS:  
A = .135±0.010 [3.43±0.25] SOLDER TO BOARD  
C = .135±0.010 [3.43±0.25] PRESS FIT

- ⑦. RETENTION TO PCB OPTIONS:  
A = BOARD LOCK (REQUIRES .098 + 0.002, - 0.001 [2.49 + 0.05, - 0.03] THRU HOLE IN PCB).  
B = 0.150 [3.81] THRU HOLE (REQUIRES 0.158±0.003 [4.01±0.08] THRU HOLE IN PCB).
- ⑧. MANUFACTURE'S NAME, P/N, AND DATE CODE TO APPEAR ON THIS SURFACE.
- ⑨. THE MAXIMUM OVERALL LENGTH (DIM A) OF A PART IS 8.00 [203.2].
10. PRODUCT SPECIFICATION GS-12-149.
11. REFERENCE 51697 FOR SPECIALS WORKSHEET.
- PCB NOTES:
12. ALL DIMENSIONS ARE BASIC UNLESS OTHERWISE SPECIFIED.
13. ALL THROUGH HOLES ARE LOCATED WITH A TRUE POSITION OF 0.004 [0.10].
14. ALL HOLE DIAMETERS ARE FINISHED HOLE SIZE.
15. Ø0.0453±0.001 [1.151±0.02] DRILLED HOLES PLATED WITH 0.0003 [0.007] MIN SnPb OVER 0.001 [0.03] TO 0.003 [0.08] PLATING TO ACHIEVE A 0.040±0.003 [1.02±0.08] HOLE.
16. A  $\Delta$  SYMBOL WILL BE NEXT TO ANY DIMENSION, VIEW, OR NOTE WHICH HAS BEEN MODIFIED WITH THE CURRENT DRAWING REVISION.

A

A

B

B

|             |                |    |      |            |                      |                                       |             |          |  |     |        |                    |  |
|-------------|----------------|----|------|------------|----------------------|---------------------------------------|-------------|----------|--|-----|--------|--------------------|--|
| mat'l code  |                |    |      | SEE NOTE 2 |                      | tolerances unless otherwise specified |             | CUSTOMER |  | FCI |        | www.fciconnect.com |  |
| lfr         | ecn no.        | dr | date | linear     | .XX±.01/.X±.3        |                                       | COPY        |          | <br>RIGHT ANGLE HEADER w/GUIDE PIN POWER |     |        |                    |  |
| F           |                |    |      |            | .XXX±.005/.XX±.13    |                                       | projection  |          |  |     |        |                    |  |
|             |                |    |      |            | .XXX±.0020/.XXX±.051 |                                       | <br>INCH/MM |          |  |     |        |                    |  |
|             |                |    |      | angles     | 0°±2°                |                                       | <br>scale   |          | product family                           |     | code   |                    |  |
|             |                |    |      | dr         | LEV4                 | 10/14/99                              | 3:2         |          | PWRBLADE                                 |     | 213    |                    |  |
|             |                |    |      | enrg       | J. BROWN             | 10/14/99                              | A           |          | size                                     |     | sheet  |                    |  |
|             |                |    |      | chr        | J. BROWN             | 10/14/99                              | 51723       |          | dwg no                                   |     | 2 of 3 |                    |  |
|             |                |    |      | appd       | J. BROWN             | 10/14/99                              |             |          | A  |     | code   |                    |  |
| sheet index | revision sheet |    |      |            |                      |                                       |             |          |  |     |        |                    |  |

1 | 2

Pro/E

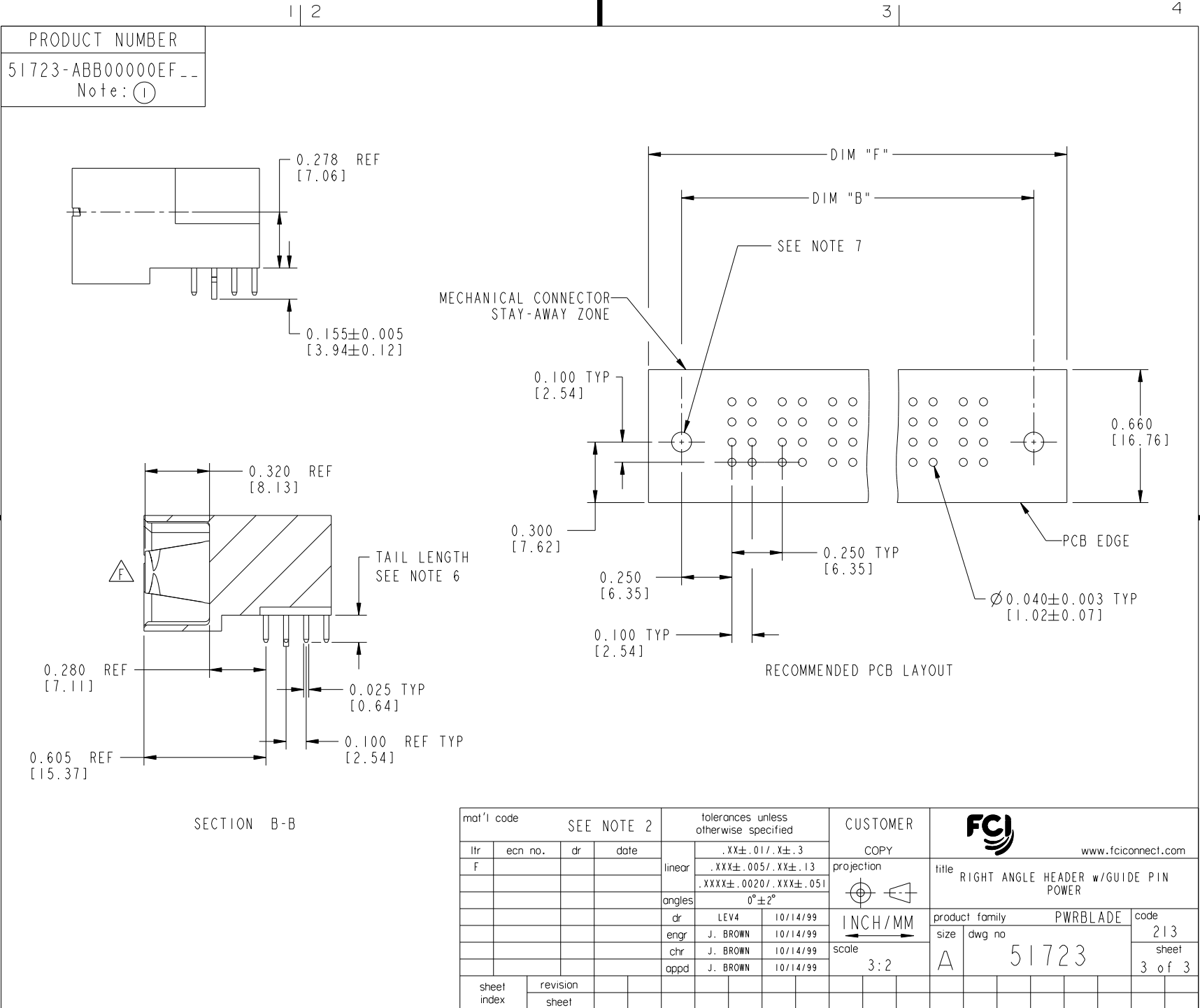
PDM: Rev:F

STATUS: Released

Printed: Oct 17, 2008

Tous droits strictement réservés. Reproduction ou communication a des tiers interdite sous quelque forme que ce soit sans autorisation écrite du propriétaire. Propriété de c FCI. Droits de reproduction FCI.

All rights strictly reserved. Reproduction or issue to third parties in any form whatever is not permitted without written authority from the proprietor. Property of FCI. Copyright FCI.



|             |                |            |      |                                       |                      |            |  |                |  |                                      |  |
|-------------|----------------|------------|------|---------------------------------------|----------------------|------------|--|----------------|--|--------------------------------------|--|
| mat'l code  |                | SEE NOTE 2 |      | tolerances unless otherwise specified |                      | CUSTOMER   |  | FCI            |  | www.fciconnect.com                   |  |
| ltr         | ecn no.        | dr         | date | linear                                | .XX±.01/.X±.3        | COPY       |  | projection     |  | title                                |  |
| F           |                |            |      |                                       | .XXX±.005/.XX±.13    | projection |  |                |  | RIGHT ANGLE HEADER w/GUIDE PIN POWER |  |
|             |                |            |      | angles                                | .XXX±.0020/.XXX±.051 |            |  | product family |  | code                                 |  |
|             |                |            |      | dr                                    | 0°±2°                | INCH/MM    |  | PWRBLADE       |  | 213                                  |  |
|             |                |            |      | enrg                                  | LEV4 10/14/99        | scale      |  | size           |  | sheet                                |  |
|             |                |            |      | chr                                   | J. BROWN 10/14/99    | 3:2        |  | dwg no         |  | 3 of 3                               |  |
|             |                |            |      | appd                                  | J. BROWN 10/14/99    | A          |  | 51723          |  |                                      |  |
| sheet index | revision sheet |            |      |                                       |                      |            |  |                |  |                                      |  |

Pro/E

PDM: Rev:F

STATUS: Released

Printed: Oct 17, 2008

cage code 28526